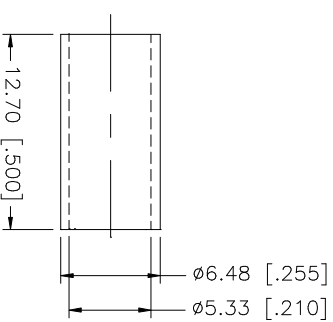
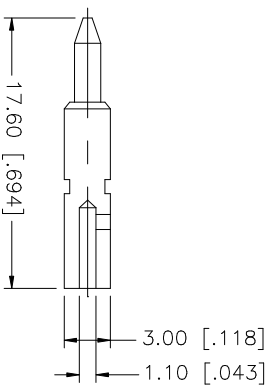
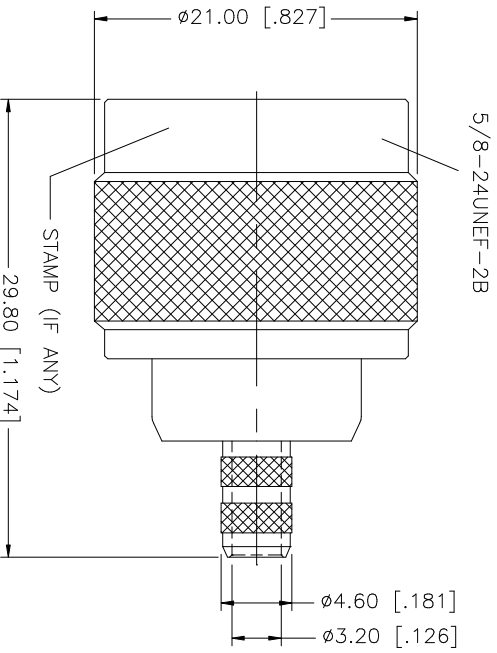
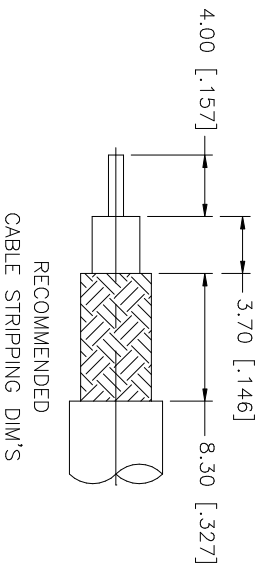


REV.	DATE	DESCRIPTION
A	07/21/99	ADD BARREL/ FERRULE DIMS.
B	04/31/03	UPDATE DRAWING FORMAT



NOTE:

1. CRIMPED FERRULE
HEX CRIMP SIZE .213"
2. CRIMPED CONTACT PIN
HEX CRIMP SIZE .100"

UNLESS OTHERWISE SPECIFIED DIMENSIONS ARE IN MILLIMETERS. DIMENSIONS IN [] ARE IN INCHES AND FOR CUSTOMER REFERENCE ONLY.	UNLESS OTHERWISE SPECIFIED TOLERANCES FOR MILLIMETERS ARE:	UNLESS OTHERWISE SPECIFIED TOLERANCES FOR INCHES ARE:	APPROVALS	DATE	PART DESCRIPTION	
	0.5 - 8mm ± 0.20mm	.020 - .315 = ± 0.007"	DRAWN	G.R.S.	04/31/03	<p>Amphenol Connex</p> <p>N CRIMP PLUG (FOR RG-58/U, 141/U CABLE)</p> <p>1722100</p>
	8 - 30mm ± 0.40mm	.315 - 1.180 = ± 0.015"	CHECKED			
	30 - 120mm ± 0.50mm	1.180 - 4.724 = ± 0.020"	ISSUED			
1	FERRULE	COPPER	NEKOCOTE	1		
2	CONTACT PIN	BRASS	GOLD	1		
3	INSULATOR	TEFLON	NATURAL	1		
4	BODY	BRASS	NEKOCOTE	1		
5	DESCRIPTION	MATERIAL	FINISH	QTY	DO NOT SCALE DRAWING	
6						
7						
8						

CAD FILE	DMG. NO.	REV.	SIZE	SCALE
C:/1722/1722100.DWG	1722100.DWG	B	A	NA